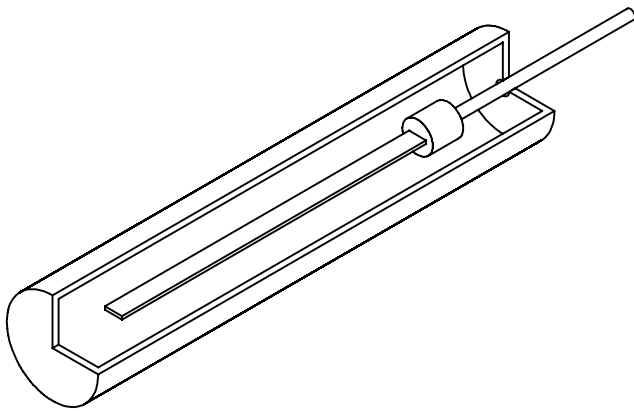
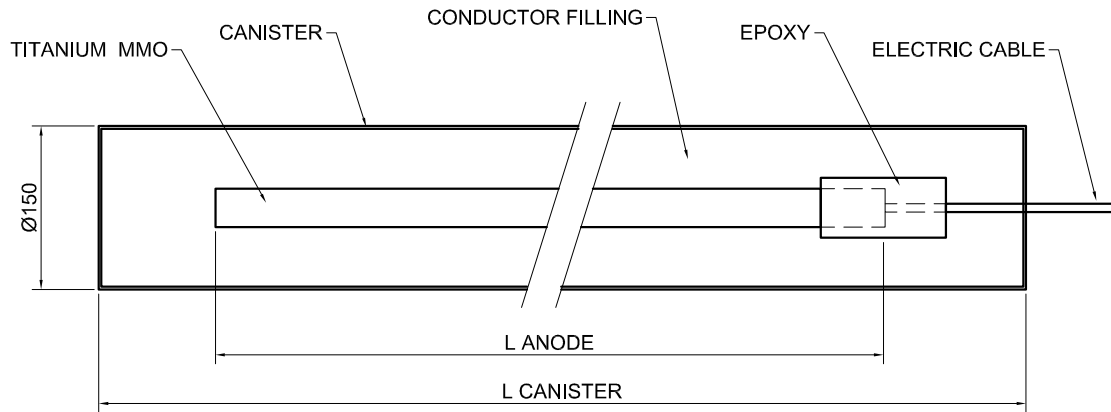
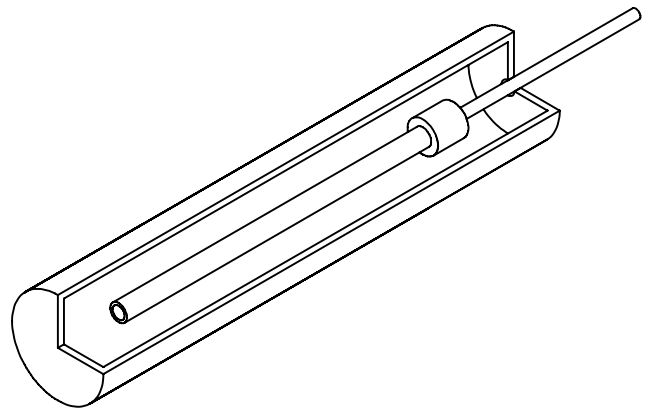


## TITANIUM ANODE SACORTIT



TYPE SACOR STRIP



TYPE SACOR ROD

	TYPE SACOR STRIP		TYPE SACOR ROD	
	500mm	1000mm	500mm	1000mm
METAL	TITANIUM ASTM-B-265 G. 1	TITANIUM ASTM-B-265 G. 1	TITANIUM ASTM-B-265 G. 1	TITANIUM ASTM-B-265 G. 1
DIMENSIONS OF THE ANODE	500x17x2,5mm	1000x17x2,5mm	Ø25,4 x 500mm	Ø25,4 x 1000mm
DIMENSIONS OF THE ANODE	(SEE NOTE 2)	(SEE NOTE 2)	(SEE NOTE 2)	(SEE NOTE 2)
WEIGHT OF ANODE	1,0 Kg (ANODE + MUFFLE + 3,0m ELECTRIC CABLE)	1,0 Kg (ANODE + MUFFLE + 3,0m ELECTRIC CABLE)	1,0 Kg (ANODE + MUFFLE + 3,0m ELECTRIC CABLE)	1,0 Kg (ANODE + MUFFLE + 3,0m ELECTRIC CABLE)
DIMENSIONS OF THE ANODE	500x17x2,5mm	500x17x2,5mm	500x17x2,5mm	500x17x2,5mm
WEIGHT OF CANISTER	32 Kg	42 Kg	32 Kg	42 Kg
DIMENSIONS OF CANISTER	Ø150 x 1500mm	Ø150 x 2000mm	Ø150 x 1500mm	Ø150 x 2000mm

- 1.- ALL DIMENSIONS ARE IN MILLIMETERS, EXCEPT WHERE INDICATED .
- 2.- OTHER SIZES CAN BE MANUFACTURED.
- 3.- THE DIMENSION OF THE CANISTER CAN VARY ACCORDING TO THE PROJECT.